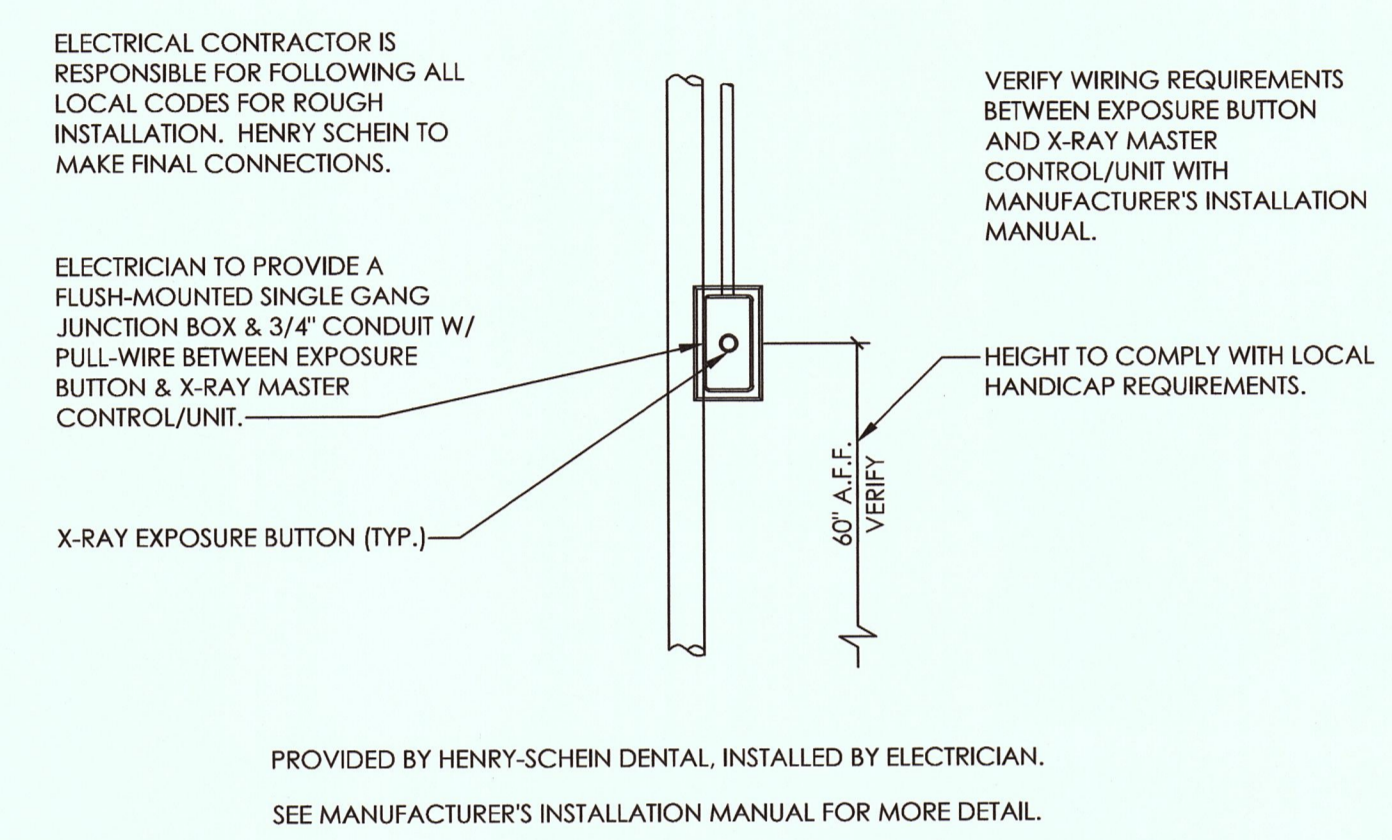
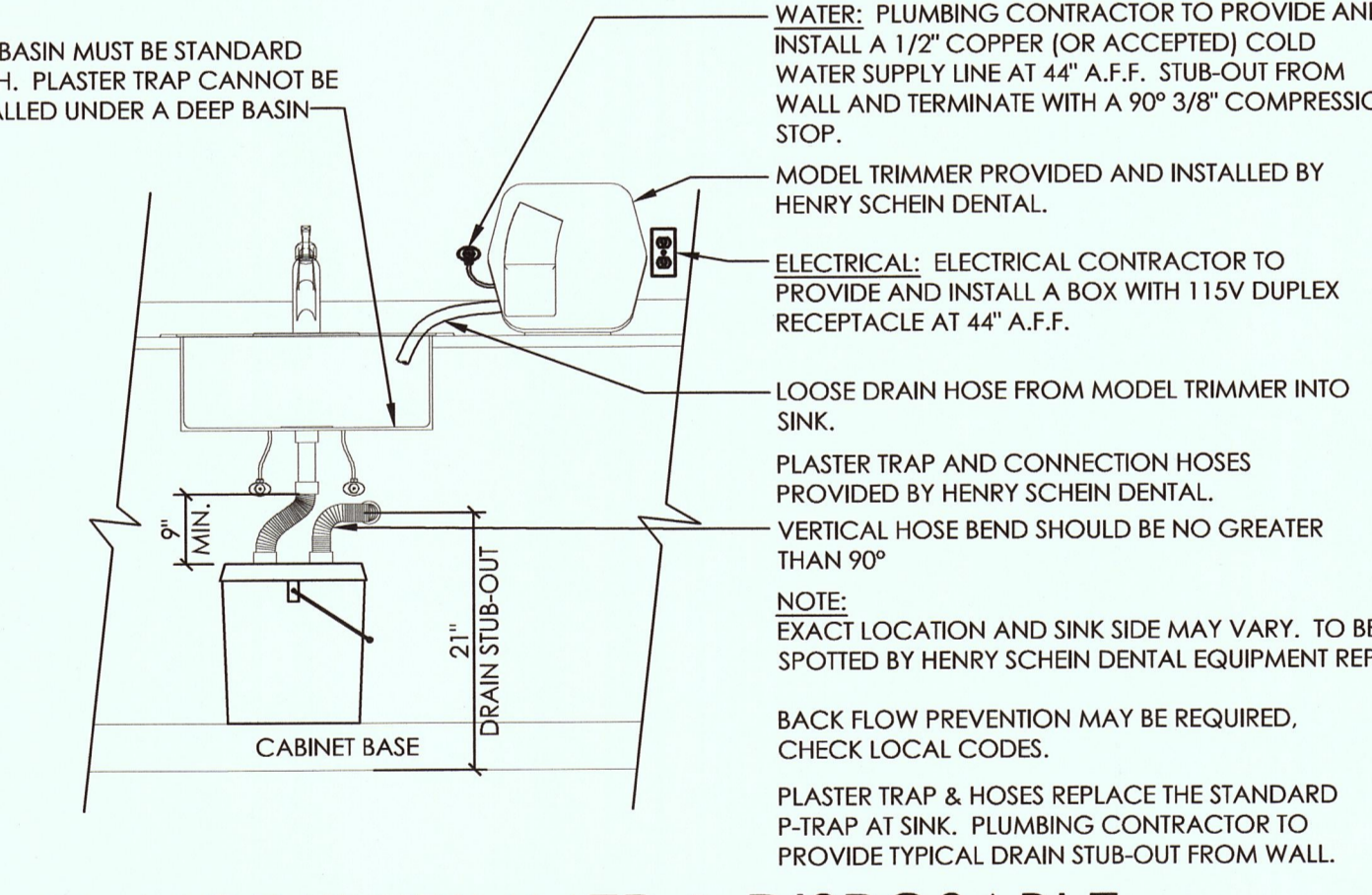


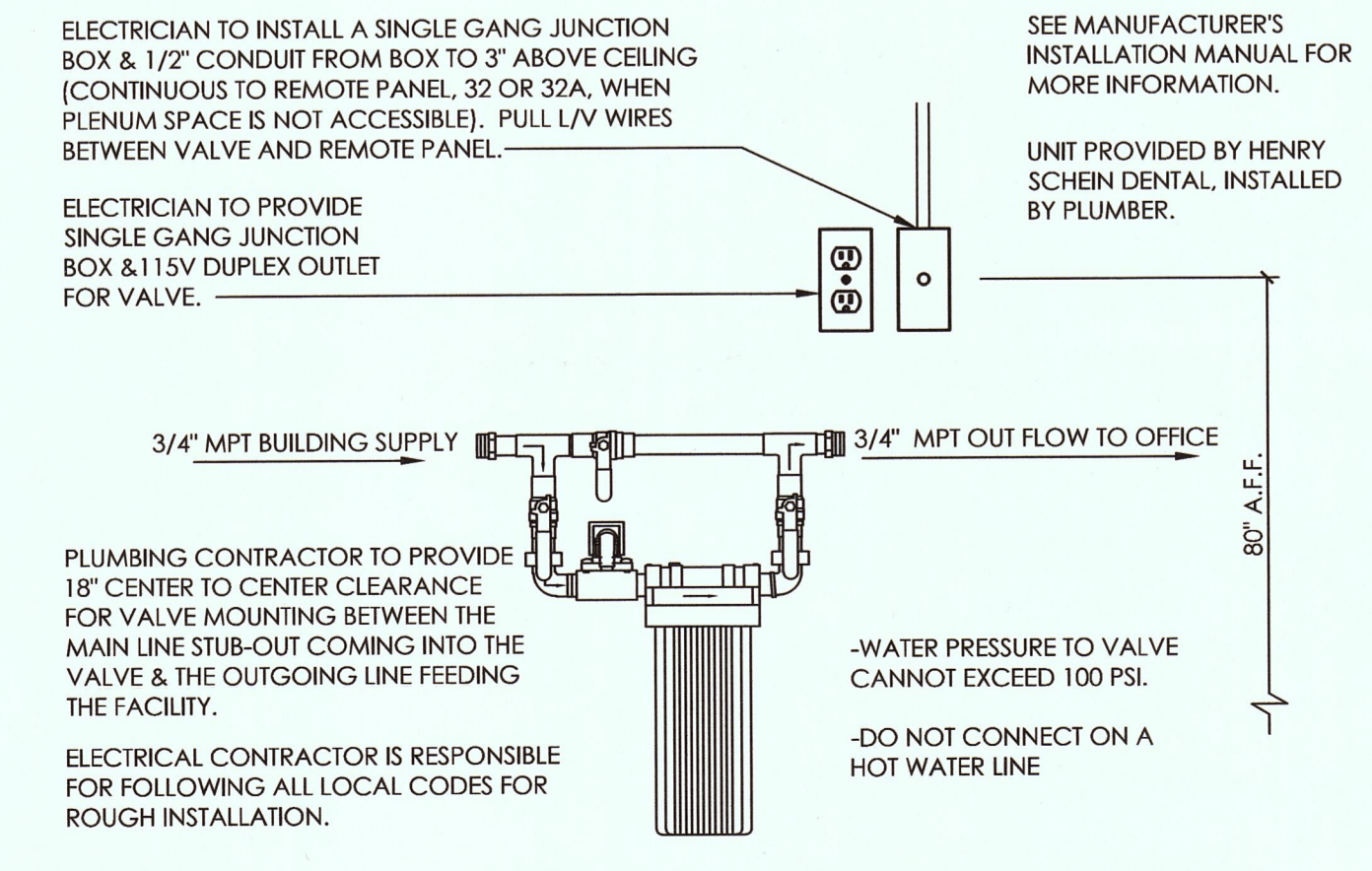
D-3 MIDMARK FTC TREATMENT CABINET UTILITIES
NOT TO SCALE



D-9B X-RAY EXPOSURE BUTTON
NOT TO SCALE

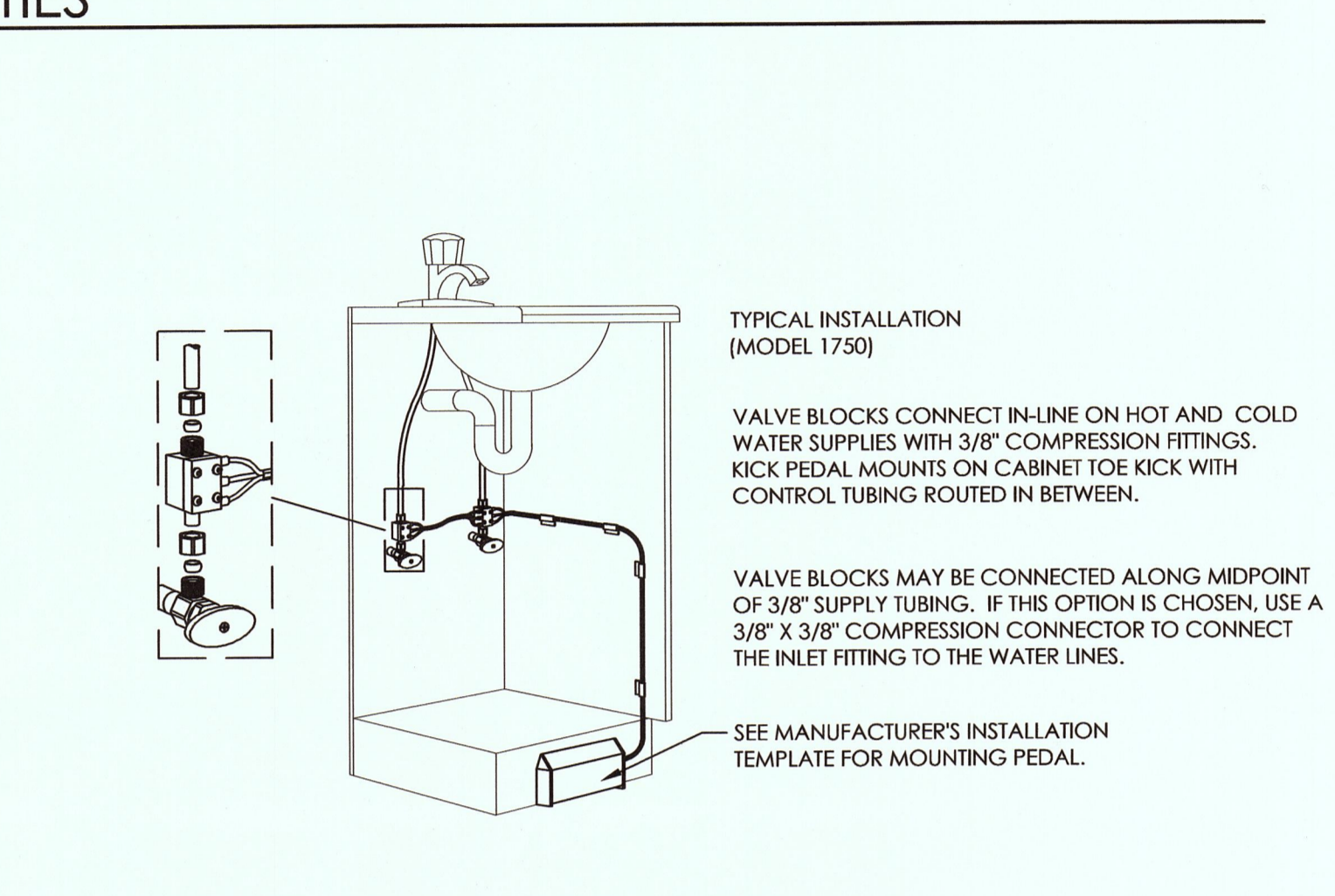


D-16 MODEL TRIMMER & DISPOSABLE PLASTER TRAP
NOT TO SCALE

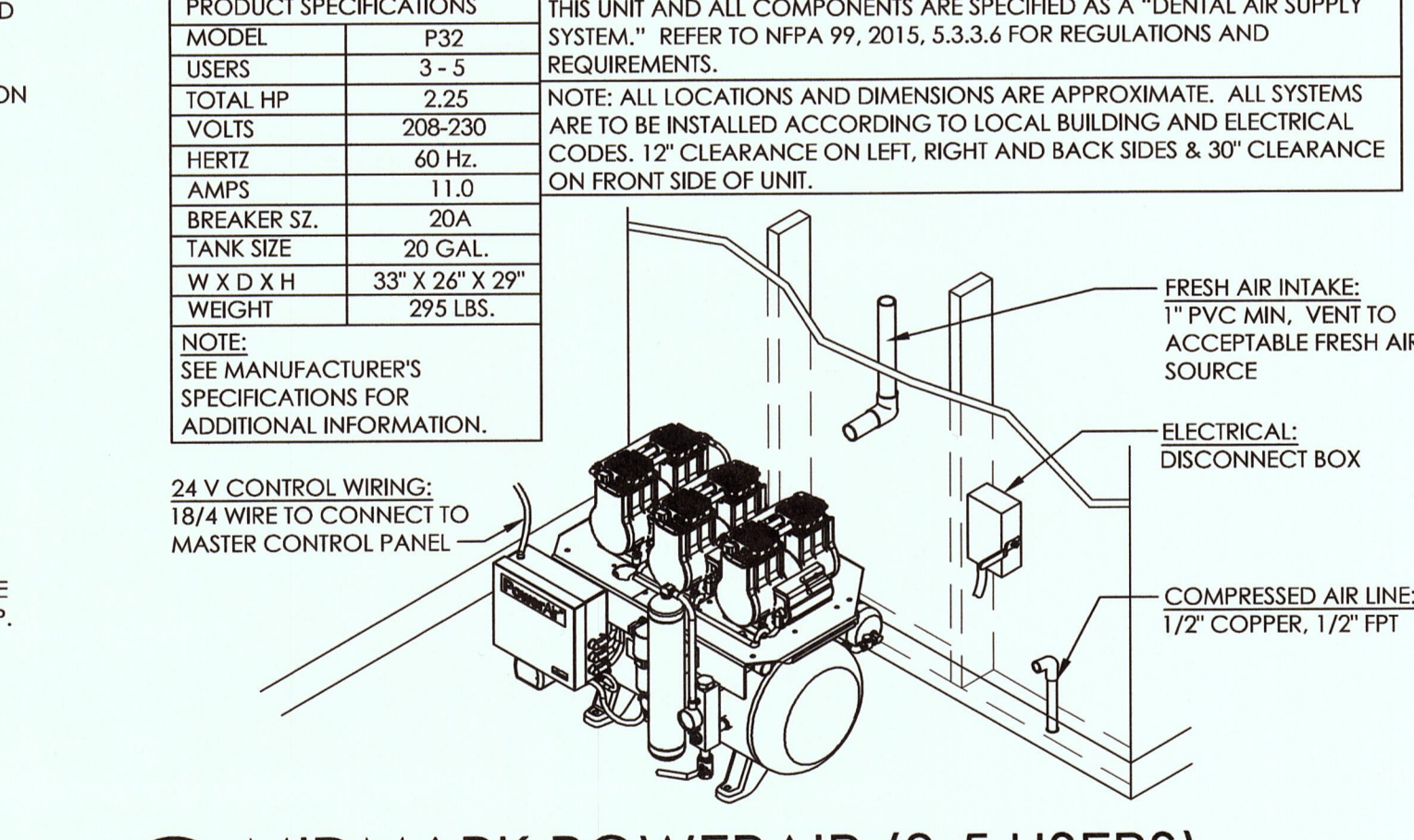


D-30A MIDMARK WATER SHUT-OFF W/FILTER
NOT TO SCALE

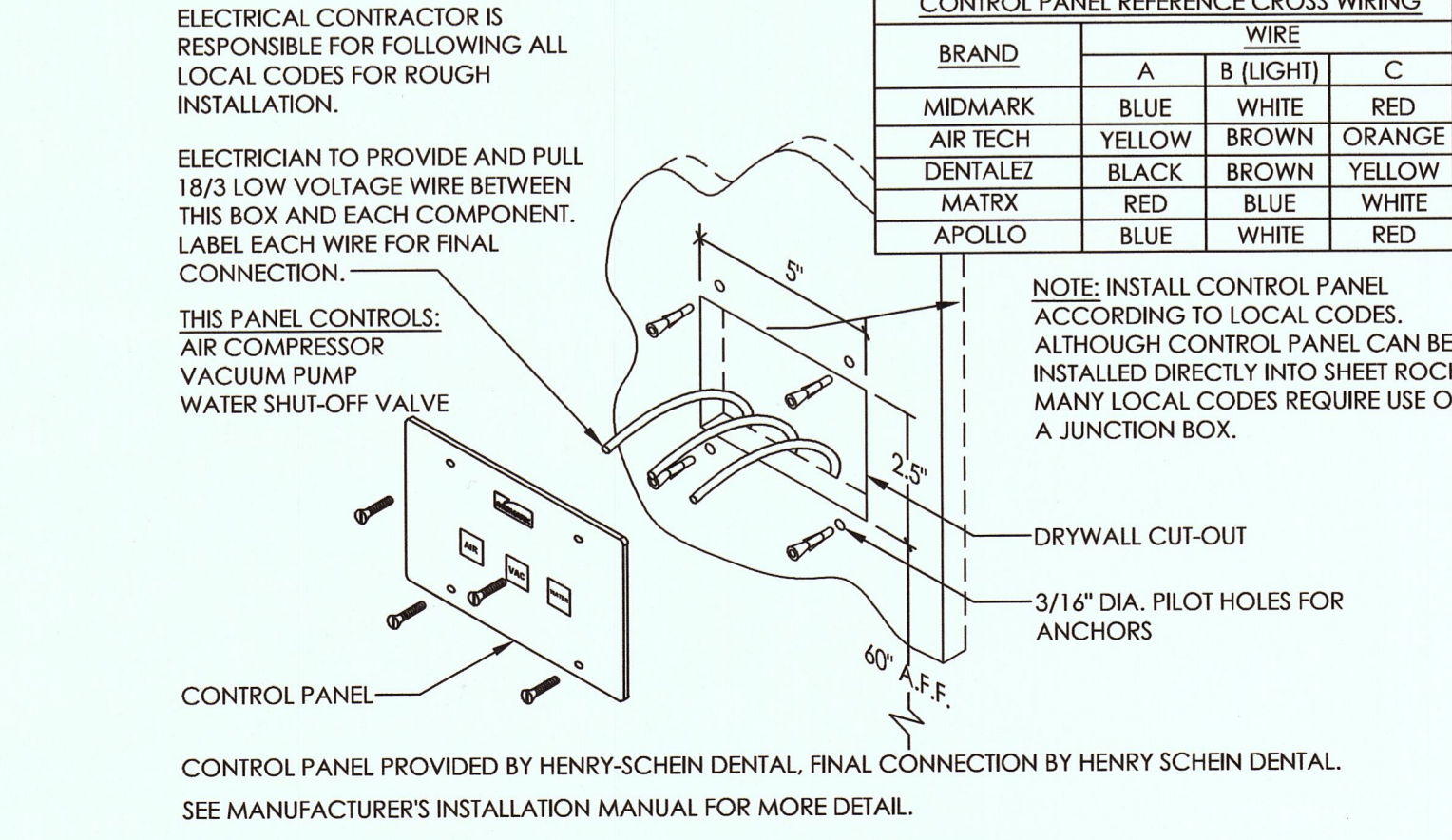
GENERAL NOTES:
-THIS DETAIL IS FOR INFORMATIONAL PURPOSES ONLY. DENTAL DEALER WILL PROVIDE INSTALLATION TEMPLATES FOR ANY EQUIPMENT IN QUESTION. REFER TO MANUFACTURER'S INSTALLATION GUIDE/TEMPLATE FOR ADDITIONAL INFORMATION.
-LICENSED PLUMBERS AND ELECTRICIANS SHALL INSTALL ALL UTILITIES.
-VERIFY WITH EQUIPMENT REP WHICH UTILITIES WILL BE RUN SUB-FLOOR VS. IN WALL.
-ALL UTILITIES MUST CONFORM WITH PREVAILING LOCAL CODES. NEITHER DENTAL DEALER NOR MANUFACTURER CAN BE HELD RESPONSIBLE FOR AN INSTALLATION WHICH DOES NOT MEET LOCAL ELECTRICAL AND PLUMBING CODES.
-VERIFY WITH EQUIPMENT REP WHICH UTILITIES WILL BE RUN SUB-FLOOR VS. IN WALL.
COMPRESSED AIR: PLUMBING CONTRACTOR TO PROVIDE AND INSTALL A 1/2" COPPER (OR ACCEPTED) SUPPLY LINE FROM AIR COMPRESSOR TO THIS LOCATION. STUB-UP 1-2" FROM FLOOR AND TERMINATE WITH A 90° 1/2" X 3/8" COMPRESSION SHUT-OFF VALVE. FLUSH SYSTEM CLEAN PRIOR TO EQUIPMENT INSTALLATION.
WATER: PLUMBING CONTRACTOR TO PROVIDE AND INSTALL A 1/2" COPPER (OR ACCEPTED) COLD WATER SUPPLY LINE TO THIS LOCATION. STUB-UP 1-2" FROM FLOOR AND TERMINATE WITH A 90° 1/2" X 3/8" COMPRESSION SHUT-OFF VALVE. FLUSH SYSTEM CLEAN PRIOR TO EQUIPMENT INSTALLATION.
NOTE: MAXIMUM HEIGHT OF AIR & WATER VALVES SHOULD NOT EXCEED 5' (WHEN FULLY OPENED).
ELECTRICAL: ELECTRICAL CONTRACTOR TO PROVIDE AND INSTALL A 1/2" FLEX CONDUIT AND BOX WITH 115V QUAD (OR EQUAL) RECEPTACLE. WIRE BOX PER CODE WITH TOP NO HIGHER THAN 4-1/2" A.F.F.



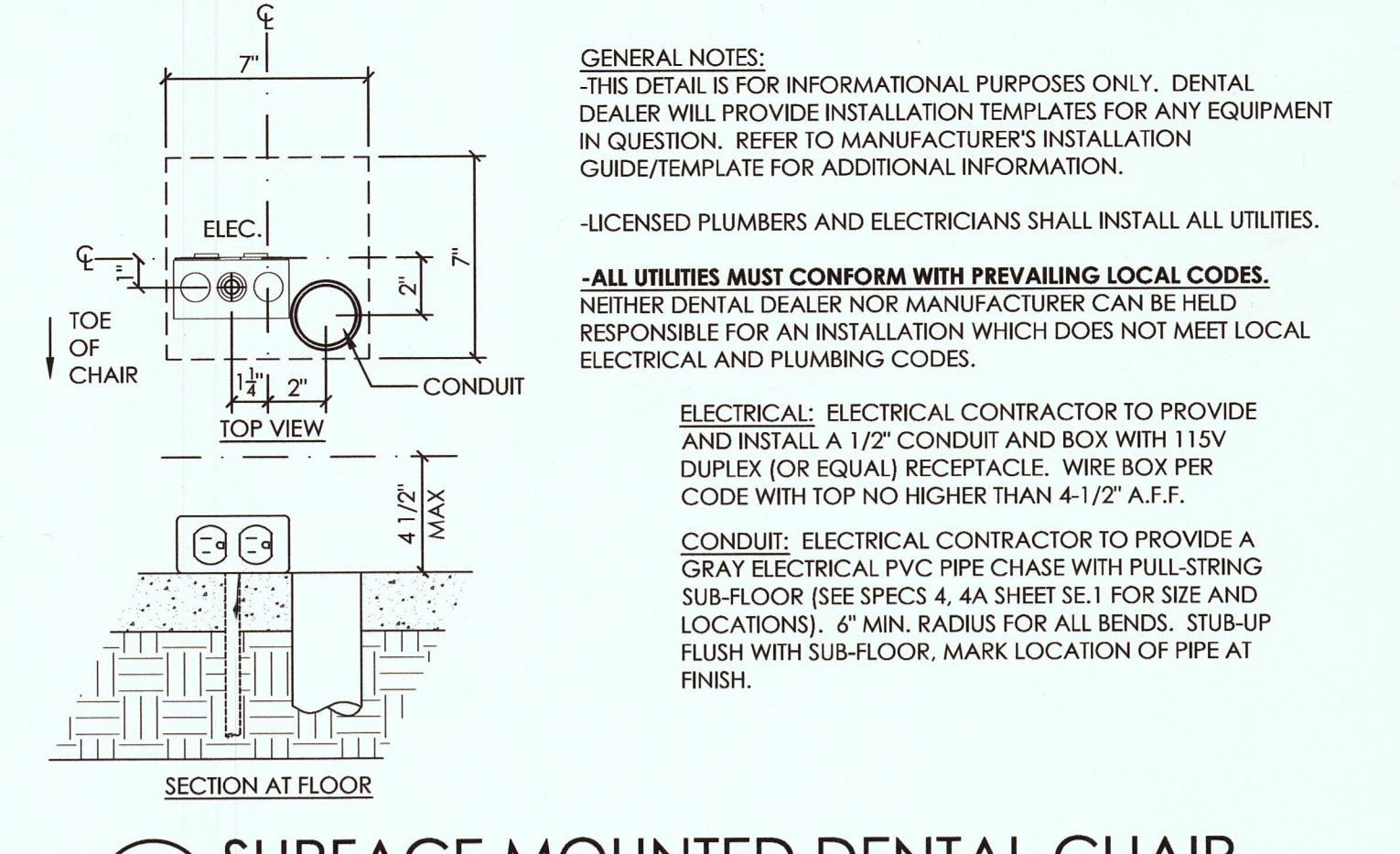
D-12B TAPMASTER FAUCET CONTROL
NOT TO SCALE



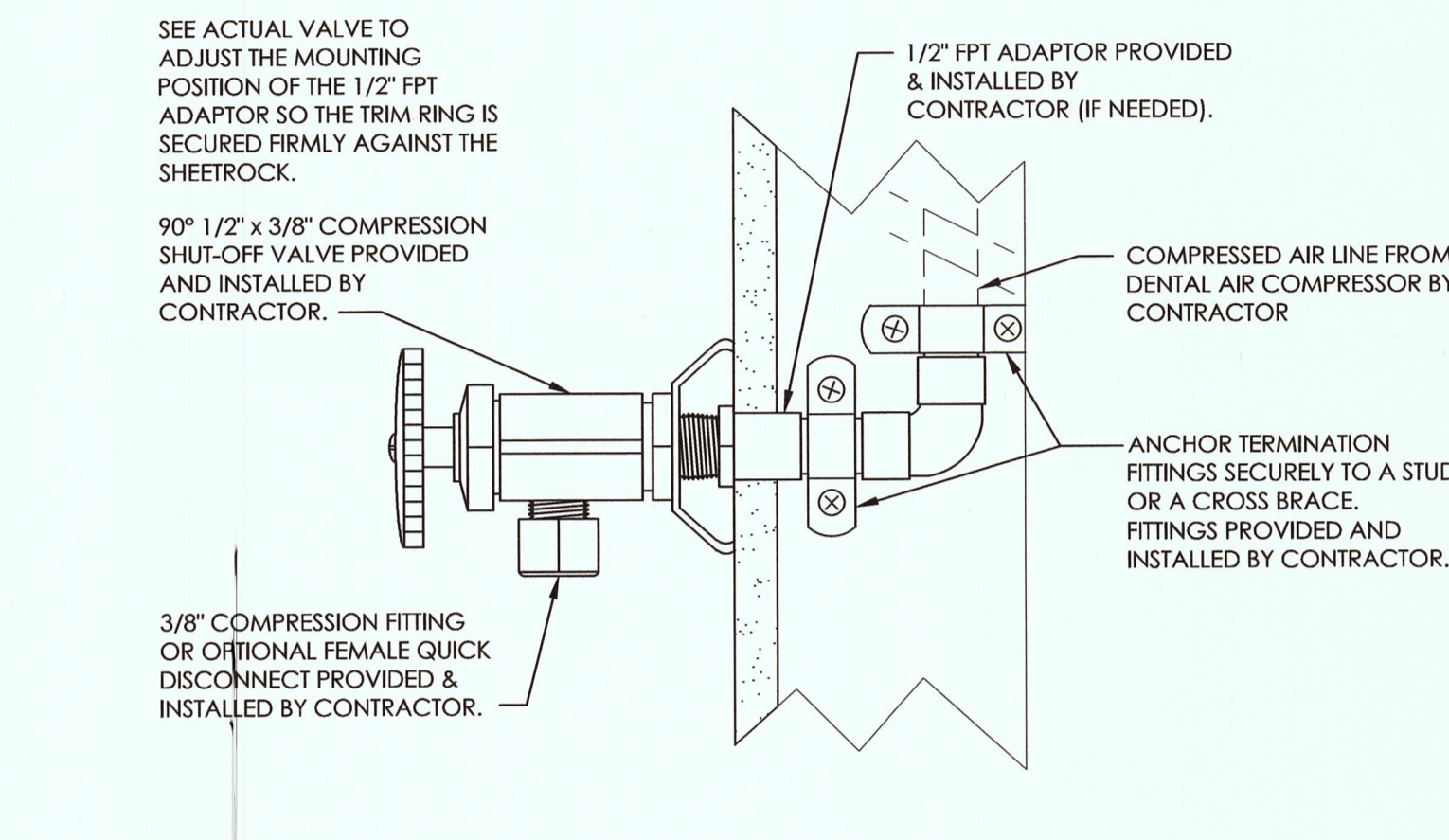
D-25 MIDMARK POWERAIR (3-5 USERS)
NOT TO SCALE



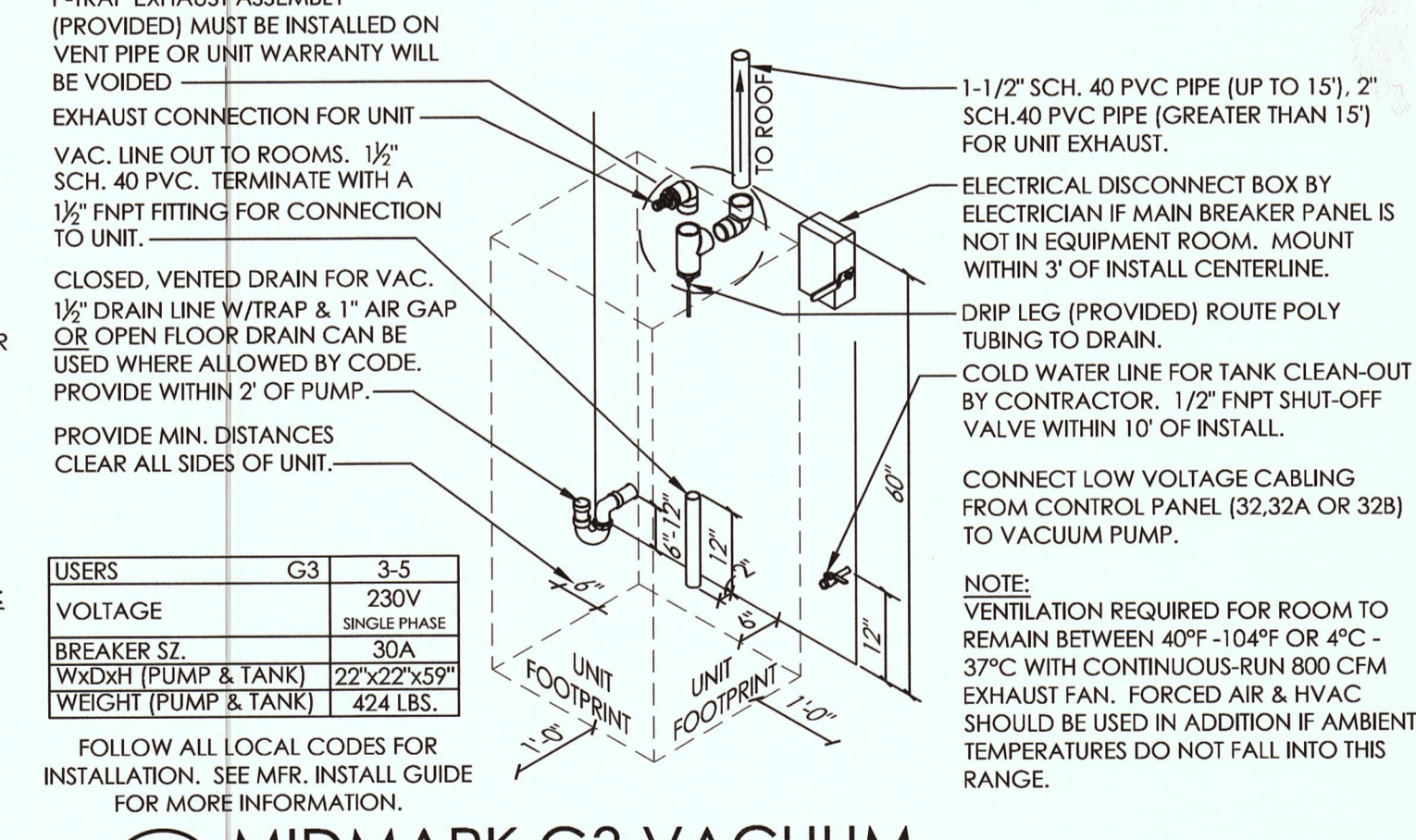
D-32 MIDMARK CONTROL PANEL
NOT TO SCALE



D-5 SURFACE MOUNTED DENTAL CHAIR OUTLET
NOT TO SCALE



D-13 AIR VALVE
NOT TO SCALE



D-27A MIDMARK G3 VACUUM
NOT TO SCALE



D-32 MIDMARK CONTROL PANEL
NOT TO SCALE

HENRY SCHEIN®
DENTAL
10920 WEST LINCOLN AVENUE
WEST ALLIS, WI 53227

SVMC DENTAL CLINIC
PROJECT:
LOCATION:
100 HOSPITAL DRIVE
BENNINGTON, VT 05201

HENRY SCHEIN REP:
HARRY FLESSAS
CENTER:
BOSTON, MA
PHONE #:
(603) 731-4323

IMPORTANT NOTE:
THIS DOCUMENT HAS BEEN PREPARED AS AN INSTRUMENT OF PROFESSIONAL SERVICE AND IS NOT AN ARCHITECTURAL PLAN. THE IDEAS/DESIGNS INCLUDED HEREIN ARE THE SOLE PROPERTY OF HENRY SCHEIN DENTAL AND ARE PROTECTED UNDER COPYRIGHT. THEY MAY NOT BE USED OR REPRODUCED WITHOUT EXPRESSED WRITTEN CONSENT OF HENRY SCHEIN AND FULL PAYMENT OF ANY ASSOCIATED DESIGN FEES.
ALL DIMENSIONS ARE SUBJECT TO JOB-SITE VERIFICATION.

DRAWING NAME:
SVMC-1H-F
PROJECT START DATE:
11/16/2015
FINALS START DATE:
03/28/2016
DRAWN BY: AKL
FINALS BY: AKL
CHECKED BY: JLR

REVISIONS:

1		
2		
3		
4		
5		
6		
7		
8		
9		
10		

INT.SQ.FT. = 1243

SCALE: SHI. SIZE:
SEE DTL. D
MECHANICAL
DETAILS

SPE.1